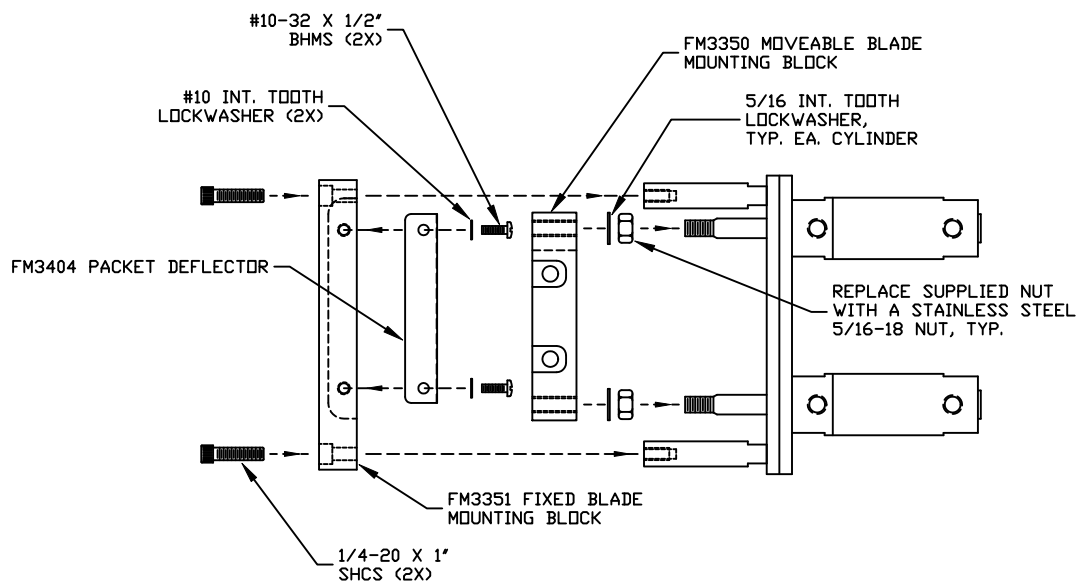
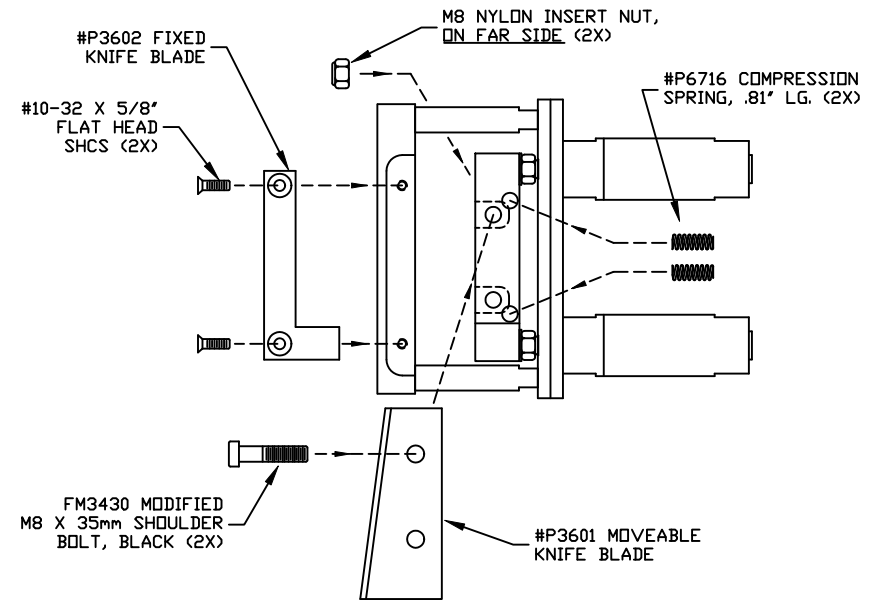
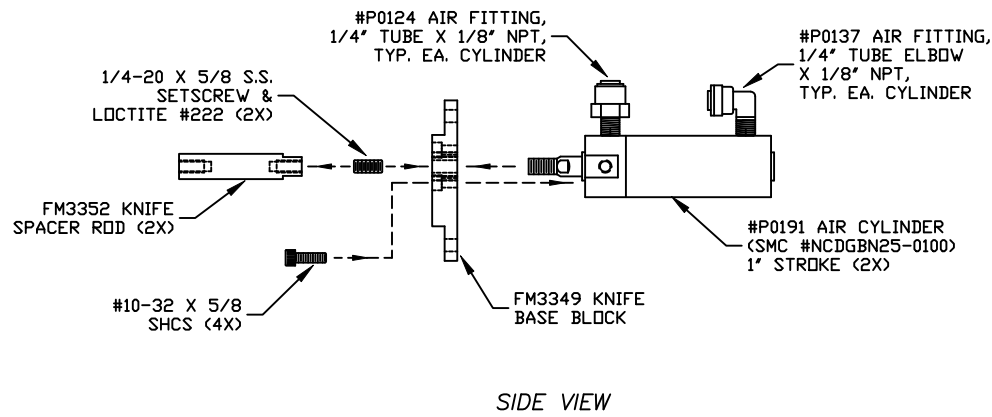


NOTE	REV	DESCRIPTION	DATE
	-	-	-



PART NO#	QTY. REQ'D	DESCRIPTION	NEXT ASSEMBLY	USED ON
AD1103	1	PS1 KNIFE ASSEMBLY	AD1090'S	MODEL PS1
UNLESS OTHERWISE SPECIFIED:		MATERIAL:	DRAWN BY: KEVIN JOHNSON DATE: 3/23/06	
TOL: DEC= .XXX ±.005 FRAC= ±1/64		FINISH:	SCALE: 1 = 1	
.XX ±.01			SHEET 1 OF 1	
DEITZ COMPANY, INC.		TITLE: PS1 KNIFE ASSEMBLY	NUMBER: AD1103	REVISION: -
ROUTE 34, WALL, N.J.				