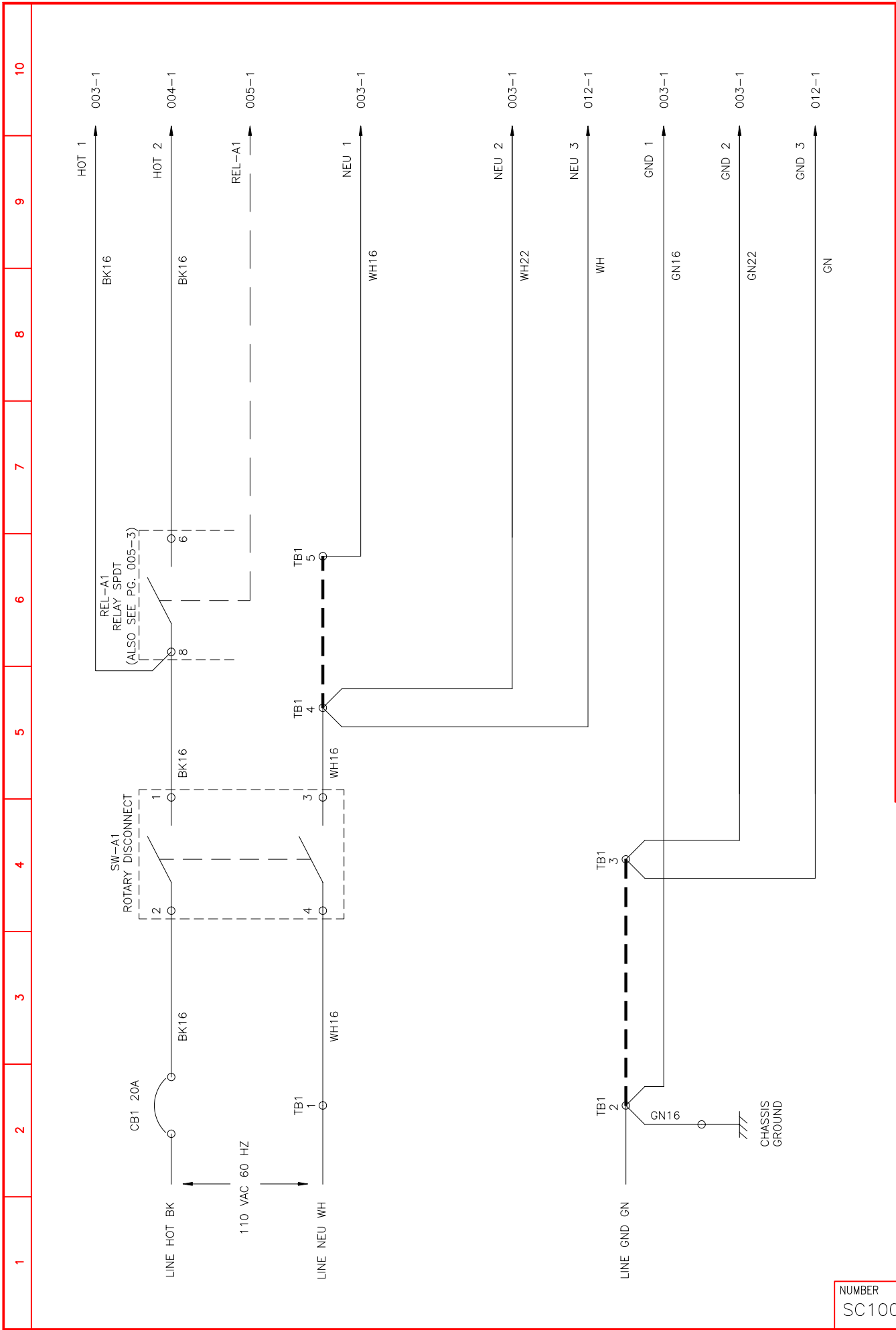


1	2	3	4	5	6	7	8	9	10										
<p><u>REVISIONS</u></p> <p>A -- FIRST RELEASE</p> <p>B -- MISC WIRING IMPROVEMENTS</p> <p>C -- OMITTED PLC-A2, PLC-A3, NETC-A2, NETC-A3; REPLACED WITH INDEX-A1, INDEX-A2, INDEX-A3</p> <p>C1 -- CHANGED TERMINAL AND COMPONENT DESIGNATION TO MATCH WIRING INSTRUCTIONS (DROPPED USE OF "--A1 IN FAVOR OF "1").</p> <p>ADDED AIR PRESSURE SENSOR PG 9.</p> <p>MINOR CORRECTIONS.</p>				<p><u>CONTENTS</u></p> <ol style="list-style-type: none"> <li>NOTES AND REVISIONS</li> <li>POWER ENTRY</li> <li>UNSWITCHED AC LOADS</li> <li>SWITCHED AC LOADS</li> <li>START/STOP/OPERATOR INTERFACE</li> <li>DC POWER DISTRIBUTION 1</li> <li>DC POWER DISTRIBUTION 2</li> <li>AIR VALVES</li> <li>POSITION SENSORS</li> <li>ROLLER DRIVES</li> <li>TURRET/CARRIAGE DRIVES</li> <li>LIFT PLATFORM</li> <li>MASTER PLC</li> <li>INDEXERS</li> </ol>				<p><u>KEYS</u></p> <p>--- JUMPED TERMINALS</p> <p>— NETWORK CABLE</p> <p>==== INTERFACE CABLE</p> <p>○ MULTI-PIN CONNECTOR</p>		<p>BY SJD2 DATE: 11-24-03</p> <p>SHEET 001 OF 014</p> <p>NUMBER SC1005</p> <p>REVISION C1</p>									
<p><u>DEITZ COMPANY, INC.</u></p> <p><b>ROUTE 34, WALL, N.J.</b></p> <p>TECHNICAL DRAWING -- PRODUCT INFO</p>				<p>SECTION NOTES AND REVISIONS</p> <p>TITLE MODEL CS2 COTTONER WIRING SCHEMATIC SERIAL NO. 008 AND UP</p>															
<p>NUMBER SC1005</p> <p>PAGE 001</p>				<table border="1"> <thead> <tr> <th>NOTE</th> <th>REV</th> <th>DESCRIPTION</th> <th>DATE</th> </tr> </thead> <tbody> <tr> <td>-</td> <td>-</td> <td>-</td> <td>---/---/---</td> </tr> </tbody> </table>				NOTE	REV	DESCRIPTION	DATE	-	-	-	---/---/---				
NOTE	REV	DESCRIPTION	DATE																
-	-	-	---/---/---																



NUMBER	SC1005	PAGE	002
--------	--------	------	-----

NOTE	
REV	
DESCRIPTION	

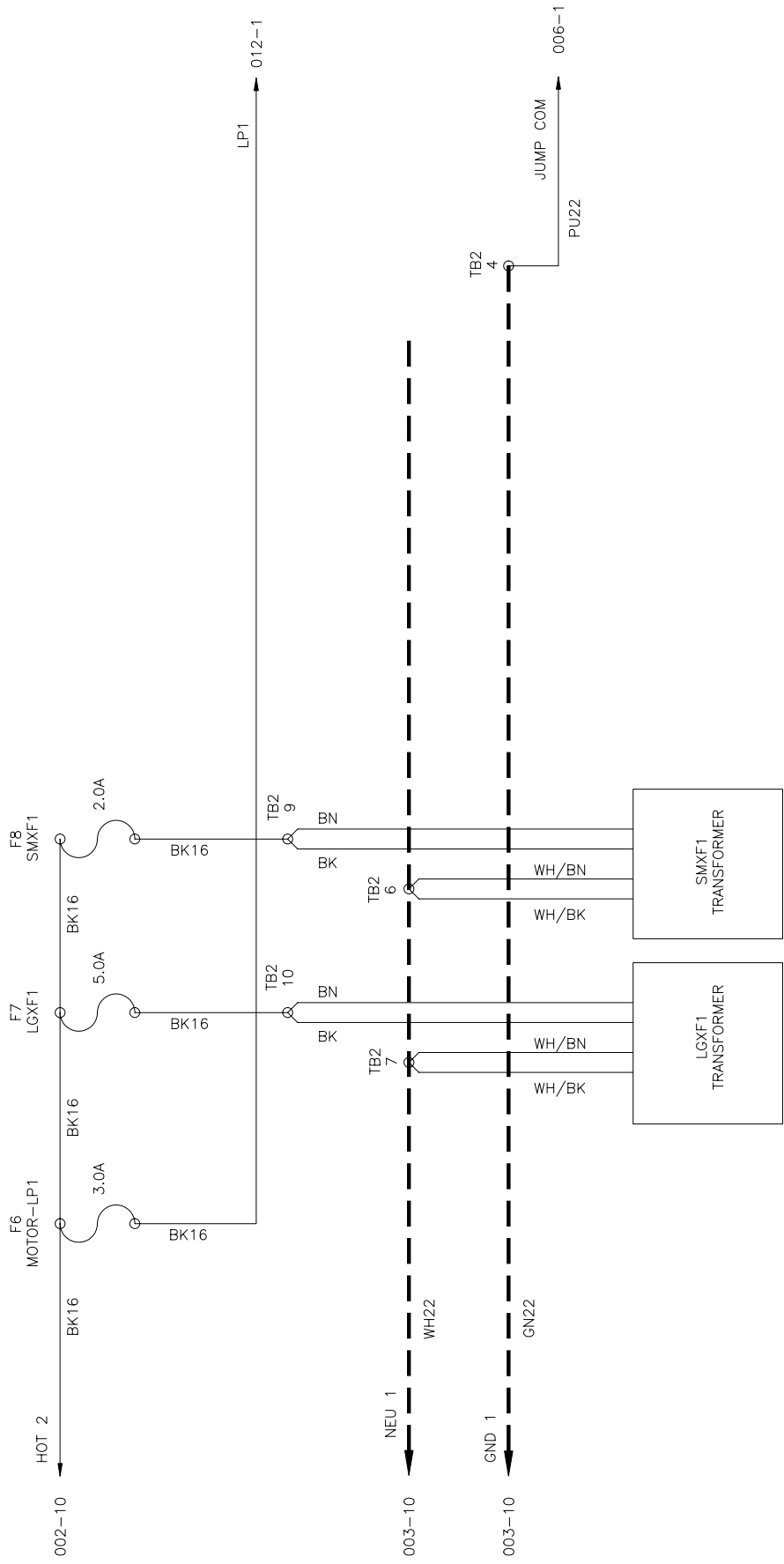
DATE	---/---/---
------	-------------

**DEITZ COMPANY, INC.**  
**ROUTE 34, WALL, N.J.**  
 TECHNICAL DRAWING - PRODUCT INFO

SECTION POWER ENTRY  
 TITLE MODEL CS2 COTTONER  
 WIRING SCHEMATIC  
 SERIAL NO. 008 AND UP

BY	SJD2	DATE:	11-24-03
SHEET	002 OF	014	REVISION
NUMBER	SC1005		C1





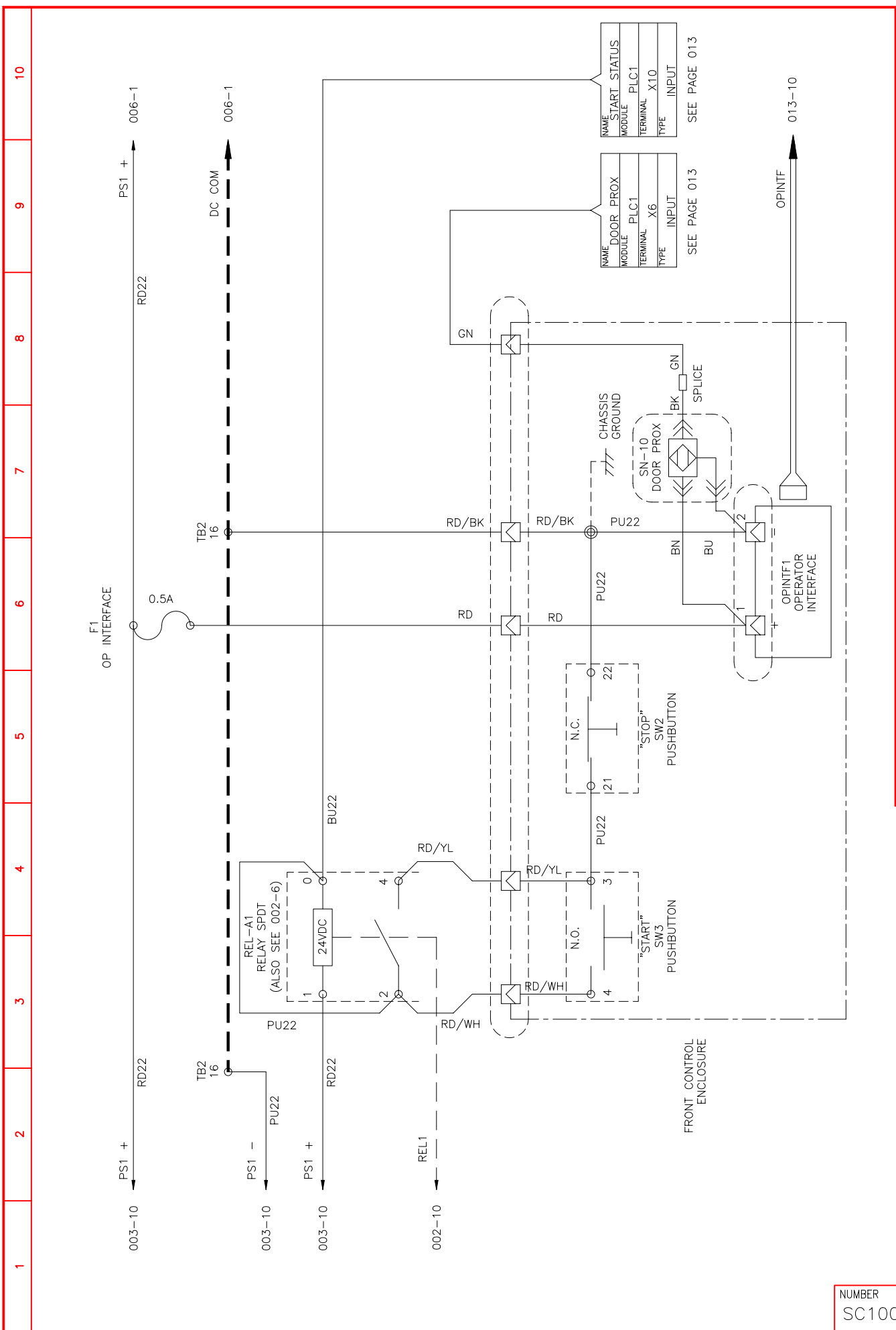
SEE PAGE 010  
SEE PAGE 011

NUMBER SC1005 PAGE 004

NOTE	REV	DESCRIPTION	DATE
-	-	-	---/---/---

**DEITZ COMPANY, INC.**  
**ROUTE 34, WALL, N.J.**  
 TECHNICAL DRAWING - PRODUCT INFO

SECTION	SWITCHED AC LOADS	BY	SJD2	DATE:	11-24-03
TITLE	MODEL CS2 COTTONER WIRING SCHEMATIC SERIAL NO. 008 AND UP	SHEET	004 OF	014	REVISION
		NUMBER	SC1005		C1



NAME	START_STATUS
MODULE	PLC1
TERMINAL	X10
TYPE	INPUT

SEE PAGE 013

NAME	DOOR_PROX
MODULE	PLC1
TERMINAL	X6
TYPE	INPUT

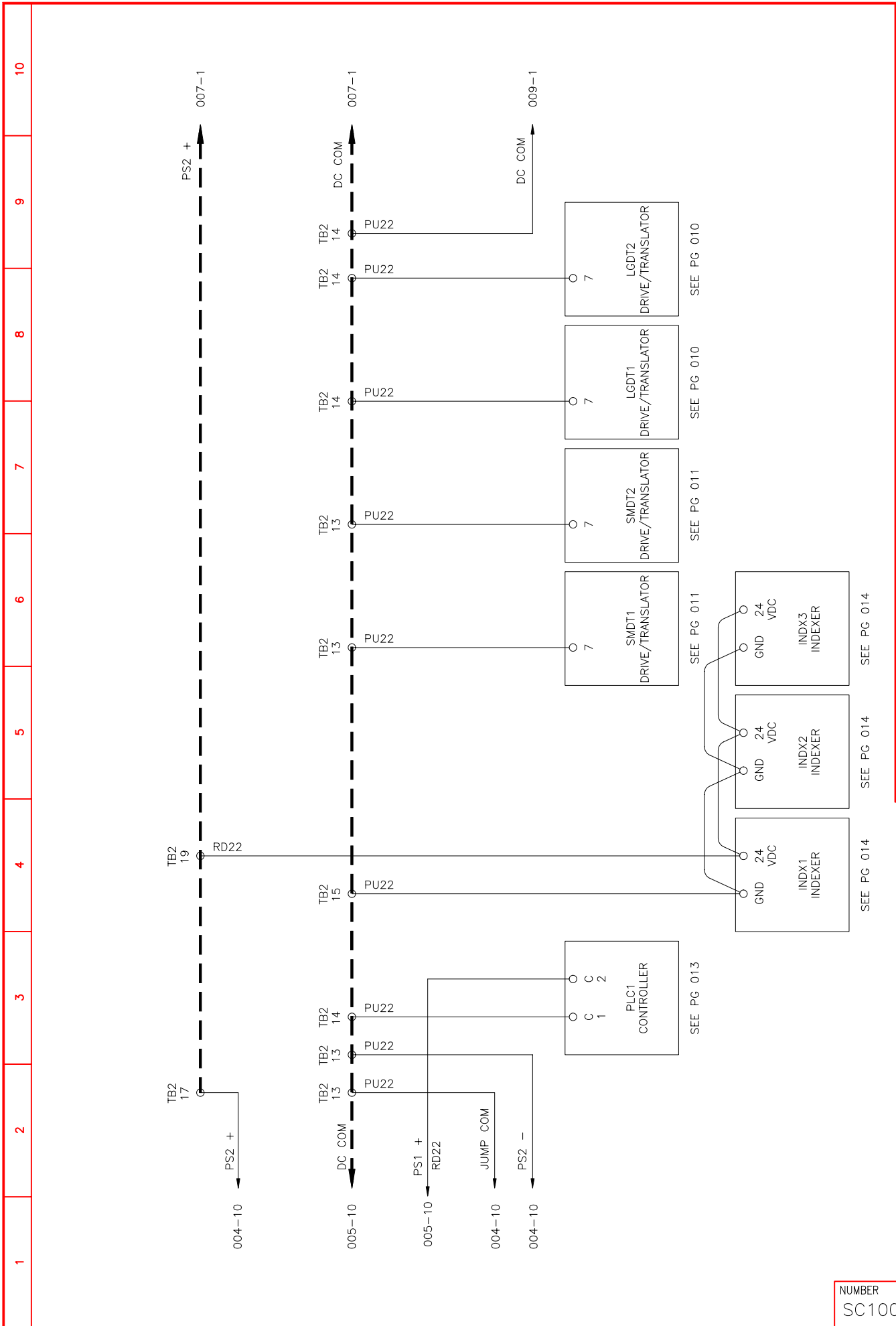
SEE PAGE 013

NUMBER	SC1005	PAGE	005
--------	--------	------	-----

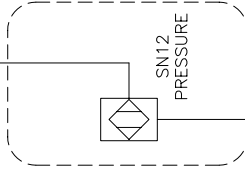
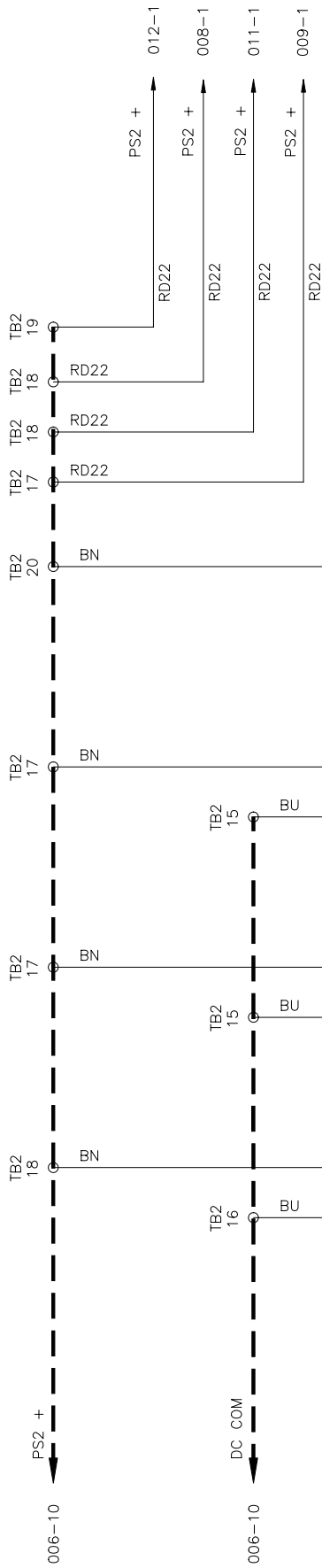
SECTION	START/STOP/OP INTERFACE	BY	SJD2	DATE:	11-24-03
TITLE	MODEL CS2 COTTONER WIRING SCHEMATIC	SHEET	005 OF	014	REVISION
	SERIAL NO. 008 AND UP	NUMBER	SC1005		C1

**DEITZ COMPANY, INC.**  
**ROUTE 34, WALL, N.J.**  
 TECHNICAL DRAWING - PRODUCT INFO

NOTE	REV	DESCRIPTION	DATE
-	-	-	---/---/---

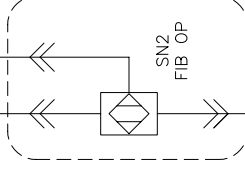


1	2	3	4	5	6	7	8	9	10	
<p>SECTION DC POWER DISTRIBUTION 1</p> <p>TITLE MODEL CS2 COTTONER WIRING SCHEMATIC SERIAL NO. 008 AND UP</p> <p>BY SJD2 DATE: 11-24-03</p> <p>SHEET 006 OF 014</p> <p>NUMBER SC1005 REVISION C1</p>										
<p>DEITZ COMPANY, INC.</p> <p>ROUTE 34, WALL, N.J.</p> <p>TECHNICAL DRAWING - PRODUCT INFO</p>										
NOTE	REV	DESCRIPTION	DATE							
			---/---/---							
NUMBER SC1005		PAGE 006								



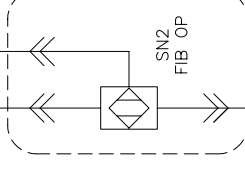
NAME	AIR_PRESSURE_IN
MODULE	PLC1
TERMINAL	X7
TYPE	INPUT

SEE PG 013



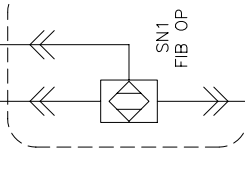
NAME	BACKUP
MODULE	PLC1
TERMINAL	X13
TYPE	INPUT

SEE PG 013



NAME	BOTTLE
MODULE	PLC1
TERMINAL	X12
TYPE	INPUT

SEE PG 013



NAME	COTTON
MODULE	PLC1
TERMINAL	X11
TYPE	INPUT

SEE PG 013

**DEITZ COMPANY, INC.**  
**ROUTE 34, WALL, N.J.**  
 TECHNICAL DRAWING - PRODUCT INFO

SECTION DC POWER DISTRIBUTION 2

BY SJD2 DATE: 11-24-03

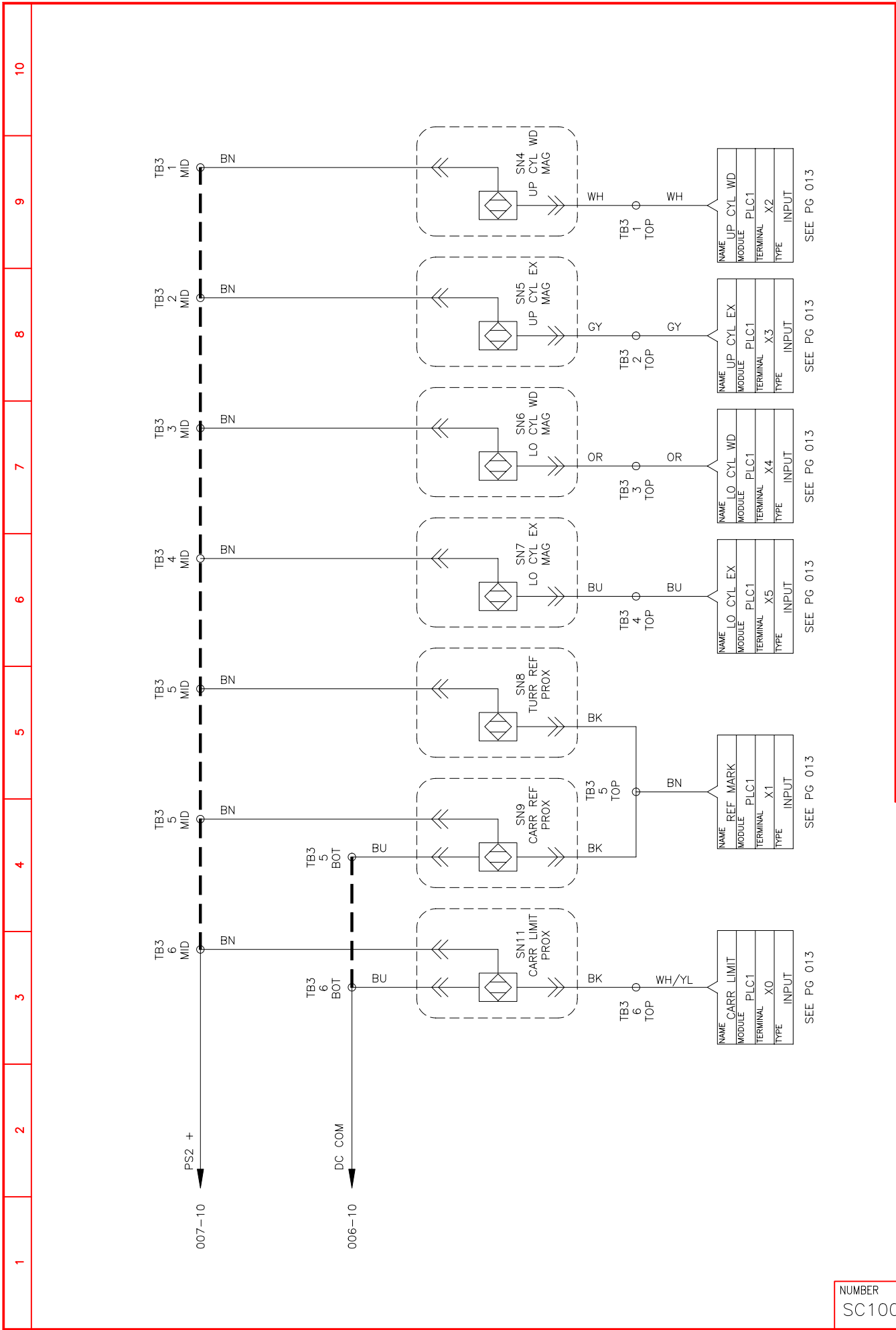
TITLE MODEL CS2 COTTONER WIRING SCHEMATIC SHEET 007 OF 014

SERIAL NO. 008 AND UP NUMBER SC1005 REVISION C1

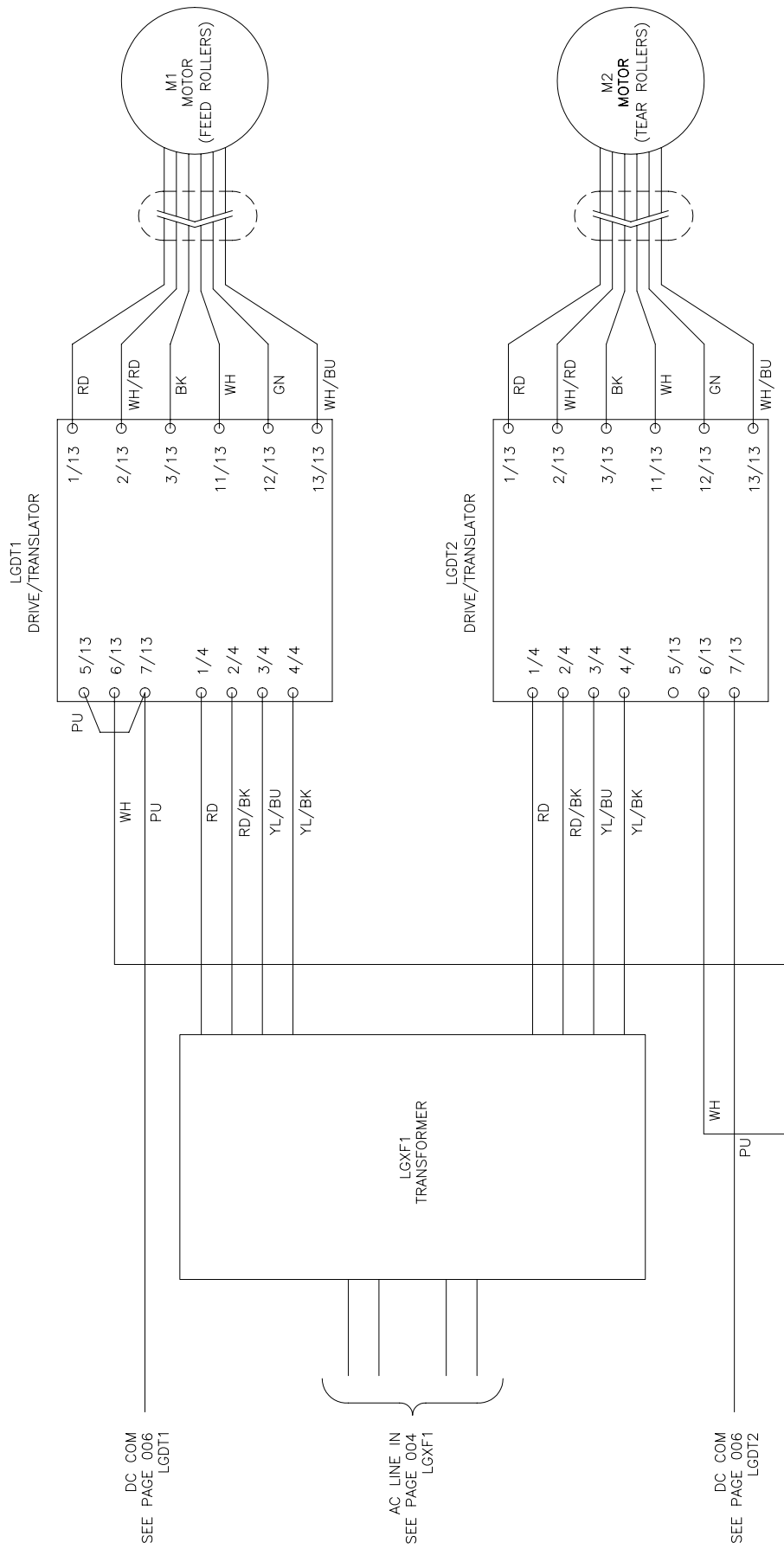
NUMBER	SC1005	PAGE	007
NOTE		REV	
		DESCRIPTION	
		DATE	---/---/---







1	2	3	4	5	6	7	8	9	10
<p>PS2 +</p> <p>007-10</p> <p>DC COM</p> <p>006-10</p> <p>TB3 6 MID BN</p> <p>TB3 5 MID BN</p> <p>TB3 5 MID BN</p> <p>TB3 4 MID BN</p> <p>TB3 3 MID BN</p> <p>TB3 2 MID BN</p> <p>TB3 1 MID BN</p> <p>TB3 6 BOT BU</p> <p>TB3 5 BOT BU</p> <p>TB3 6 TOP WH/YL</p> <p>TB3 5 TOP BN</p> <p>TB3 4 TOP BU</p> <p>TB3 3 TOP OR</p> <p>TB3 2 TOP Q</p> <p>TB3 1 TOP WH</p> <p>SN11 CARR LIMIT PROX</p> <p>SN9 CARR REF PROX</p> <p>SN8 TURR REF PROX</p> <p>SN7 LO CYL EX MAG</p> <p>SN6 LO CYL WD MAG</p> <p>SN5 UP CYL EX MAG</p> <p>SN4 UP CYL WD MAG</p> <p>NAME CARR_LIMIT MODULE PLC1 TERMINAL X0 TYPE INPUT SEE PG 013</p> <p>NAME REF_MARK MODULE PLC1 TERMINAL X1 TYPE INPUT SEE PG 013</p> <p>NAME LO_CYL_EX MODULE PLC1 TERMINAL X5 TYPE INPUT SEE PG 013</p> <p>NAME LO_CYL_WD MODULE PLC1 TERMINAL X4 TYPE INPUT SEE PG 013</p> <p>NAME UP_CYL_EX MODULE PLC1 TERMINAL X3 TYPE INPUT SEE PG 013</p> <p>NAME UP_CYL_WD MODULE PLC1 TERMINAL X2 TYPE INPUT SEE PG 013</p>									
<p>BY SJD2 DATE: 11-24-03</p> <p>SECTION POSITION SENSORS</p> <p>TITLE MODEL CS2 COTTONER WIRING SCHEMATIC</p> <p>NUMBER SC1005</p> <p>REVISION C1</p>									
<p>DEITZ COMPANY, INC.</p> <p><b>ROUTE 34, WALL, N.J.</b></p> <p>TECHNICAL DRAWING - PRODUCT INFO</p>									
NOTE	REV	DESCRIPTION	DATE						
-	-	-	---/---/---						
NUMBER SC1005		PAGE 009							



NAME	PULSE
MODULE	INDX1
TERMINAL	CLK
TYPE	OUTPUT

SEE PG 014

NAME	PULSE
MODULE	INDX2
TERMINAL	CLK
TYPE	OUTPUT

SEE PG 014

NUMBER SC1005 PAGE 010

**DEITZ COMPANY, INC.**  
**ROUTE 34, WALL, N.J.**  
 TECHNICAL DRAWING - PRODUCT INFO

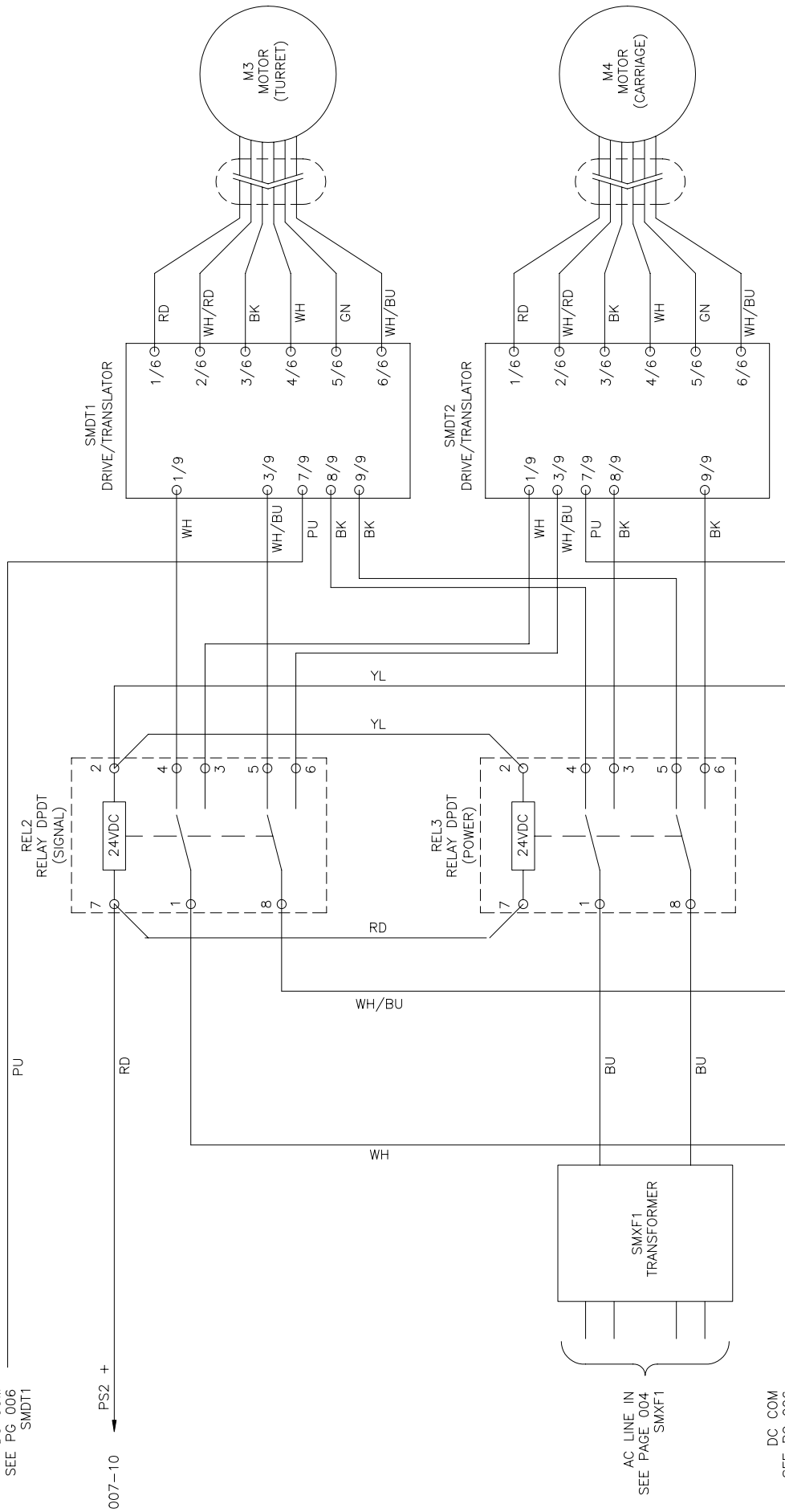
SECTION ROLLER DRIVES  
 TITLE MODEL CS2 COTTONER WIRING SCHEMATIC  
 SERIAL NO. 008 AND UP

BY SJD2 DATE: 11-24-03  
 SHEET 010 OF 014  
 NUMBER SC1005 REVISION C1

NOTE	REV	DESCRIPTION	DATE
-	-	-	---/---/---

DC COM  
SEE PG 006  
SMDT1

007-10  
PS2 +



NAME	PULSE
MODULE	INDX3
TERMINAL	CLK
TYPE	OUTPUT

SEE PG 013

NAME	DIRECTION
MODULE	INDX3
TERMINAL	DIR
TYPE	OUTPUT

SEE PG 013

NAME	SELECT
MODULE	M3/M4
TERMINAL	Y6
TYPE	OUTPUT

SEE PG 013

NUMBER  
SC1005

PAGE  
011

NOTE	REV	DESCRIPTION
-	-	-

DATE
---/---/---

**DEITZ COMPANY, INC.**  
**ROUTE 34, WALL, N.J.**

TECHNICAL DRAWING - PRODUCT INFO

SECTION TURRET & CARRIAGE DRIVES  
TITLE MODEL CS2 COTTONER  
WIRING SCHEMATIC  
SERIAL NO. 008 AND UP

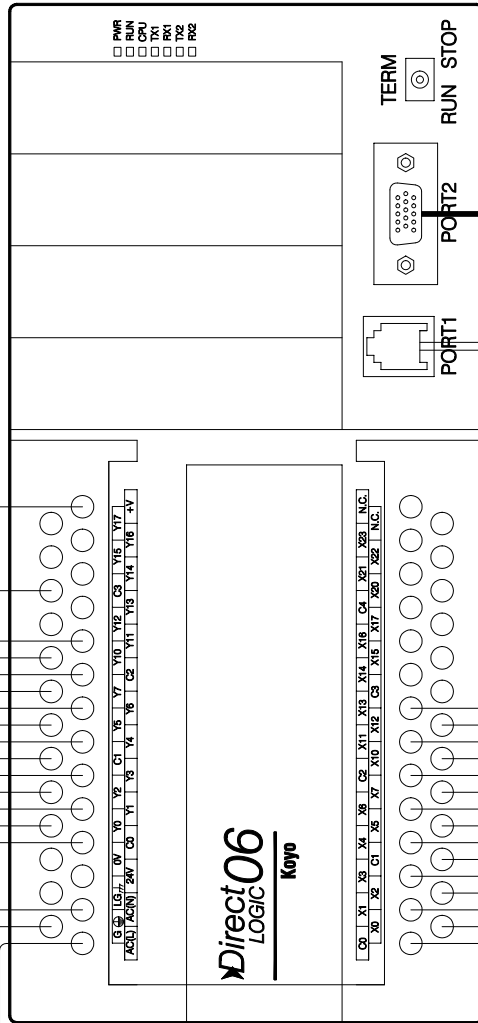
BY SJD2 DATE: 11-24-03  
SHEET 011 OF 014  
NUMBER SC1005 REVISION C1



SEE PAGE 008 — BN — VAL ROLL UP Y11  
 ' ' 012 — WH/DR — REL LP DN Y10  
 ' ' 012 — WH/RD — REL LP UP Y7  
 ' ' 011 — YL — REL SEL M3/M4 Y6  
 ' ' 008 — BU — VAL GATING Y5  
 ' ' 008 — DR — VAL PINCH Y4  
 ' ' 008 — GY — VAL INSERT A Y3  
 ' ' 014 — WH/BN — REF SIGNAL OUT Y1

AC LINE IN  
 SEE PAGE 003  
 PLC1

NEU  
 GND  
 LINE



DC IN  
 SEE PAGE 013  
 PLC1

V COM  
 +24 VDC

SEE PAGE 009 — BK — SN11 CARR LIMIT X0  
 ' ' 009 — BN — SN8&9 REF MARK X1  
 ' ' 009 — WH — SN4 UP CYL WD X2  
 ' ' 009 — GY — SN5 UP CYL EX X3  
 ' ' 009 — DR — SN6 LD CYL WD X4  
 ' ' 009 — BU — SN7 LD CYL EX X5  
 ' ' 007 — GN — SN10 DOOR PROX X6  
 ' ' 007 — BN — SN12 AIR PRESS X7  
 ' ' 005 — START STATUS X10  
 ' ' 007 — BK#1 — SNI COTTON X11  
 ' ' 007 — BK#2 — SNE BOTTLE X12  
 ' ' 007 — BK#3 — SN3 BACKUP X13

PLC1 - CONTROLLER

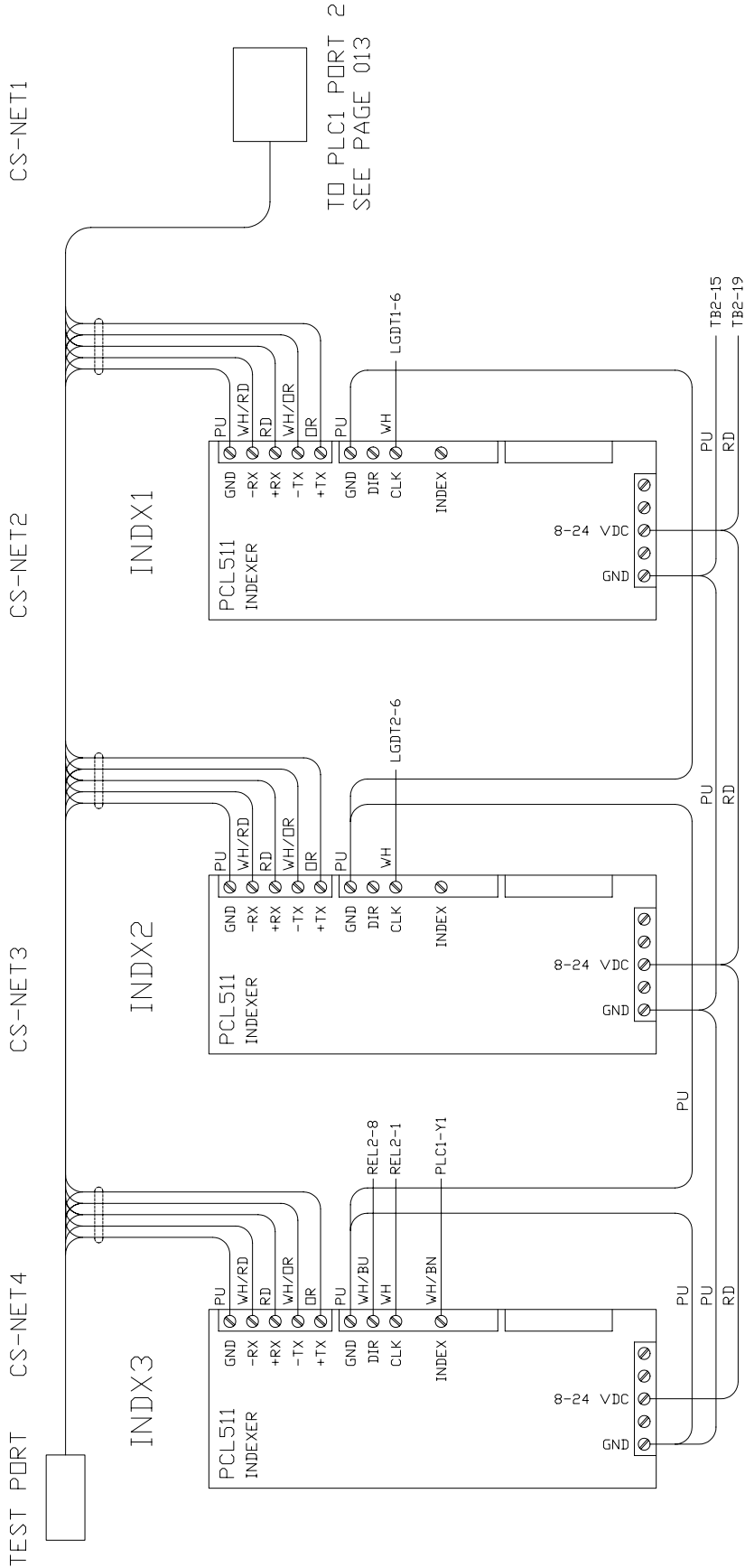
**DEITZ COMPANY, INC.**  
**ROUTE 34, WALL, N.J.**

TECHNICAL DRAWING - PRODUCT INFO

SECTION MASTER PLC  
 TITLE MODEL CS2 COTTONER  
 WIRING SCHEMATIC  
 SERIAL NO. 008 AND UP

BY SJD2 DATE: 11-24-03  
 SHEET 013 OF 014  
 NUMBER SC1005 REVISION C1

NOTE	REV	DESCRIPTION	DATE
-	-	-	---/---/---



**DEITZ COMPANY, INC.**  
**ROUTE 34, WALL, N.J.**  
 TECHNICAL DRAWING - PRODUCT INFO

SECTION	INDEXERS (SLAVES)	BY	SJD2	DATE:	11-24-03
TITLE	MODEL CS2 COTTONER WIRING SCHEMATIC	SHEET	014 OF	014	REVISION
	SERIAL NO. 008 AND UP	NUMBER	SC1005		C1

NOTE	REV	DESCRIPTION	DATE
-	-	-	---/---/---